

SECTION 14 **Customer-Owned Electric Sources and Standby Generators**

14 – 1 General Information

Installations of customer's generating equipment must adhere to the fundamental rules for safeguarding all personnel and the company's equipment. The equipment must operate isolated from the company's electric system through a double-pole, double-throw "Break before make" switch, whether automatic or manual. Installations must meet the National Electrical Code and be approved by the company. Under no circumstances will the company allow a customer to add equipment to the electric meter or inside the electric meter enclosure. This includes a meter socket mounted adapter designed to connect a generator. Consult company prior to installation of the generator to any circuit that is, or can be, supplied from the company's distribution system. This is to ensure against any unanticipated backfeed of electricity into the company's system. In addition, the company will ensure that the existing metering and electric service equipment is adequate for this upgrade. The company reserves the right to discontinue service where generation equipment used by the customer results in objectionable effects to the system now or in the future.

14 – 2 Temporary Emergency Generator Connections

May be installed if a generator connection is made on the load side of the main disconnect and the main disconnect switch is in the "Open," "Break Before Make" position, and tagged. Tag must state "Do Not Operate." When power is restored, the customer must leave the main disconnect "Open" prior to removing the generator tap. The company's meter must not be accessed.

14 – 3 Portable Standby Generators

Portable standby generation must not be connected to building wiring without a company-approved isolating double-pole, double-throw switch and an inspection by an authority having jurisdiction.

14 – 4 Generation Requiring a Meter Exchange

Installations where the customer wishes to sell generated power back to the grid such as installations of solar panels will require that the company replace the existing customer's meter with a new meter that can record electric usage in two directions. The company requires that the meter enclosure and additional connected service equipment meets current applicable company, local and NEC specifications and codes before the meter will be replaced. If the company determines that the meter enclosure and related equipment is unsafe or in disrepair, it will be required to be repaired or replaced to those current applicable standards before a new meter is installed.

14 – 5 Separately Derived System

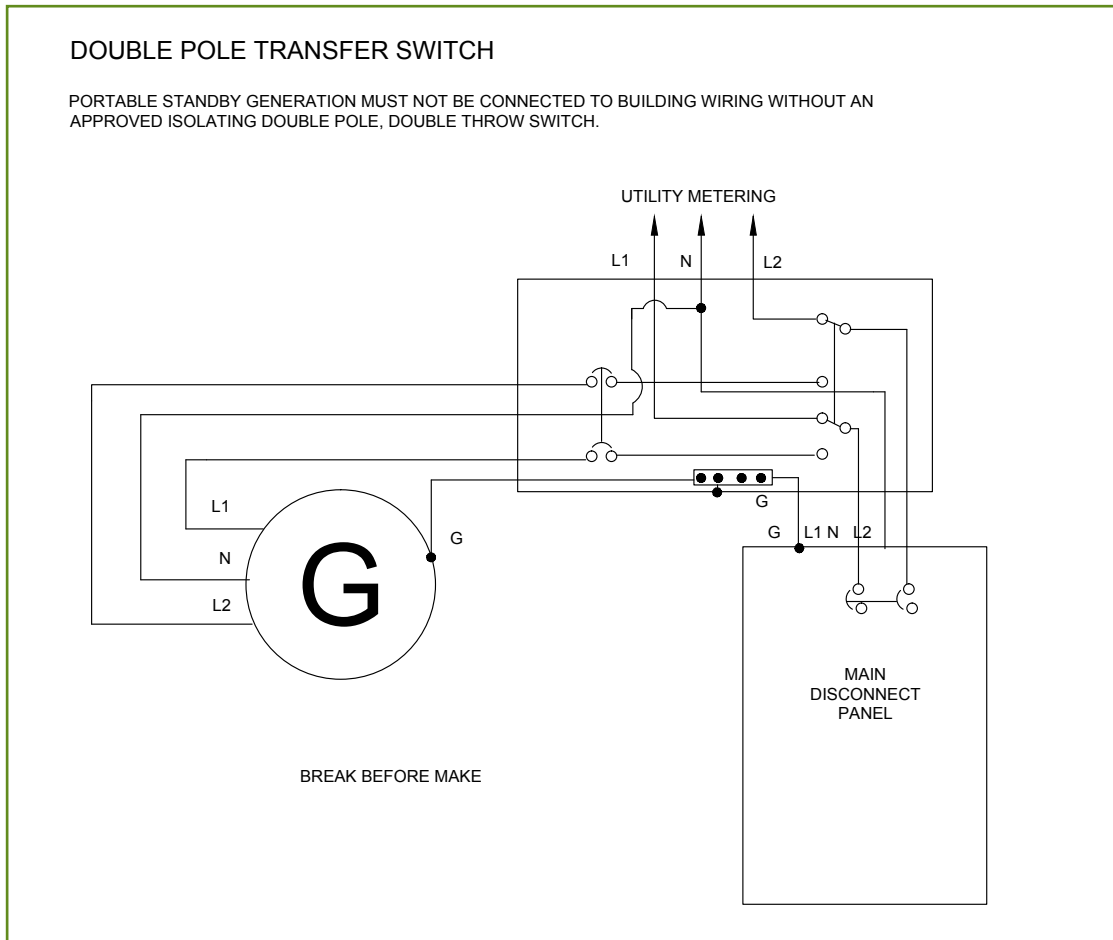


Figure 49

14 – 6 Transfer Systems

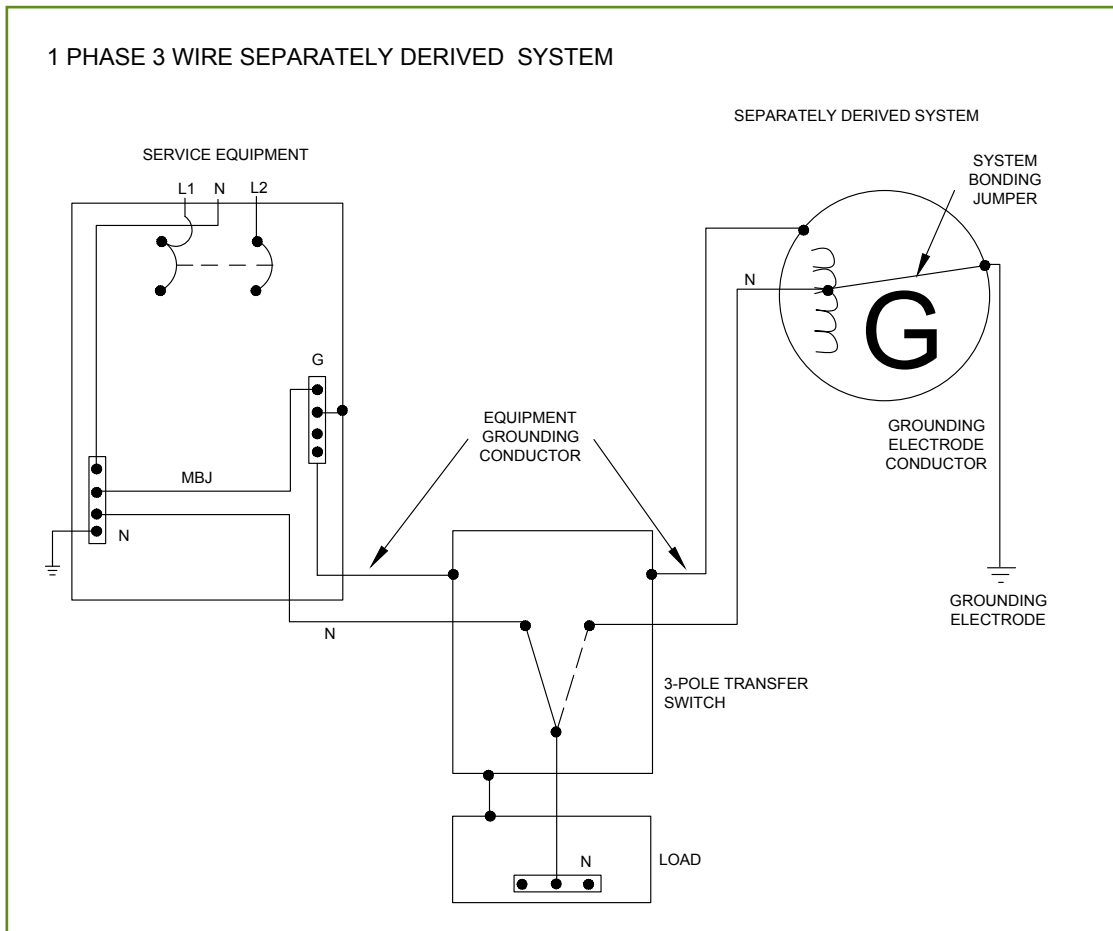


Figure 50

Service Equipment Rated Transfer

The company permits transfer switches listed and labeled “Suitable for Use as Service Equipment” for use as main service equipment upon prior approval. All other transfer switches must be connected on the load side of the Main Disconnect Panel.

14 – 7 Open-Transition Transfer and Natural Gas-Fired Generator Procedures

Note: The company’s operating system has pockets of low pressure. If your service is being fed from a low-pressure system, there will **not** be a regulator on your meter assembly. If you do not have a regulator, the company cannot supply your service with elevated pressure. You will need to look for an alternative source of fuel.

SECTION 14 **Customer-Owned Electric Sources and Standby Generators**

Procedures for Single-Family Dwelling

- The company's current delivery pressure for a residential service is 6 inches water column. If the pressure requirement for your generator exceeds 6 inches water column, you will need to request elevated pressure from the company.
- Complete the *Elevated Pressure Commitment Letter and the Gas Appliance Inventory* sheet.
- Return these forms to the company.
- The Gas Appliance Inventory sheet will determine if a larger meter is needed. A new meter is required if the total connected load, including the generator, exceeds 350,000 BTUs. All charges for elevated pressure and/or a new meter must be paid when submitting the two required forms.
- Upon return of the completed forms and your payment, the company will verify if the new load is adequate for the existing service (from the Gas Appliance Inventory sheet). If not, the company will work with you on other options.
- A 5-foot clearance must be maintained around the gas meter.
- The fuel line to the generator as well as the in-line, lock-up style secondary regulator must be installed before the pressure will be elevated. (The secondary regulator installed by your contractor protects your existing gas appliances.) Size the secondary regulator for 11-inch outlet down to 6-inch inlet.
- An electrical inspection completed by an authority having jurisdiction must be faxed to the company by that authority.
- When the faxed inspection report is received, the company will call you to schedule an appointment to increase the pressure and (if required) change the meter.
- If the company cannot change the regulator during the scheduled appointment (due to the improper installation of the generator or secondary regulator, etc.), a return trip charge will be assessed.
- If you do not need elevated pressure for your generator, these two forms must nevertheless be completed and returned to the company. The company must review the size and the length of the service feeding your home to ensure adequate pressure and volume are available.

Procedures for Townhouse/Condominium or Other Multi-Family Dwelling

- Call the company before purchasing a generator. The company will review the design of the gas service. There may be a problem for these types of services and the generator may not be able to be installed using natural gas. Each request will be handled on a case-by-case basis.

SECTION 14 Customer-Owned Electric Sources and Standby Generators

14 – 8 Closed-Transition and Auto Transfer Systems

Closed-transition and automatic transfer systems require specification submittal and must be approved by the company prior to installation.

14 – 9 Parallel Generation

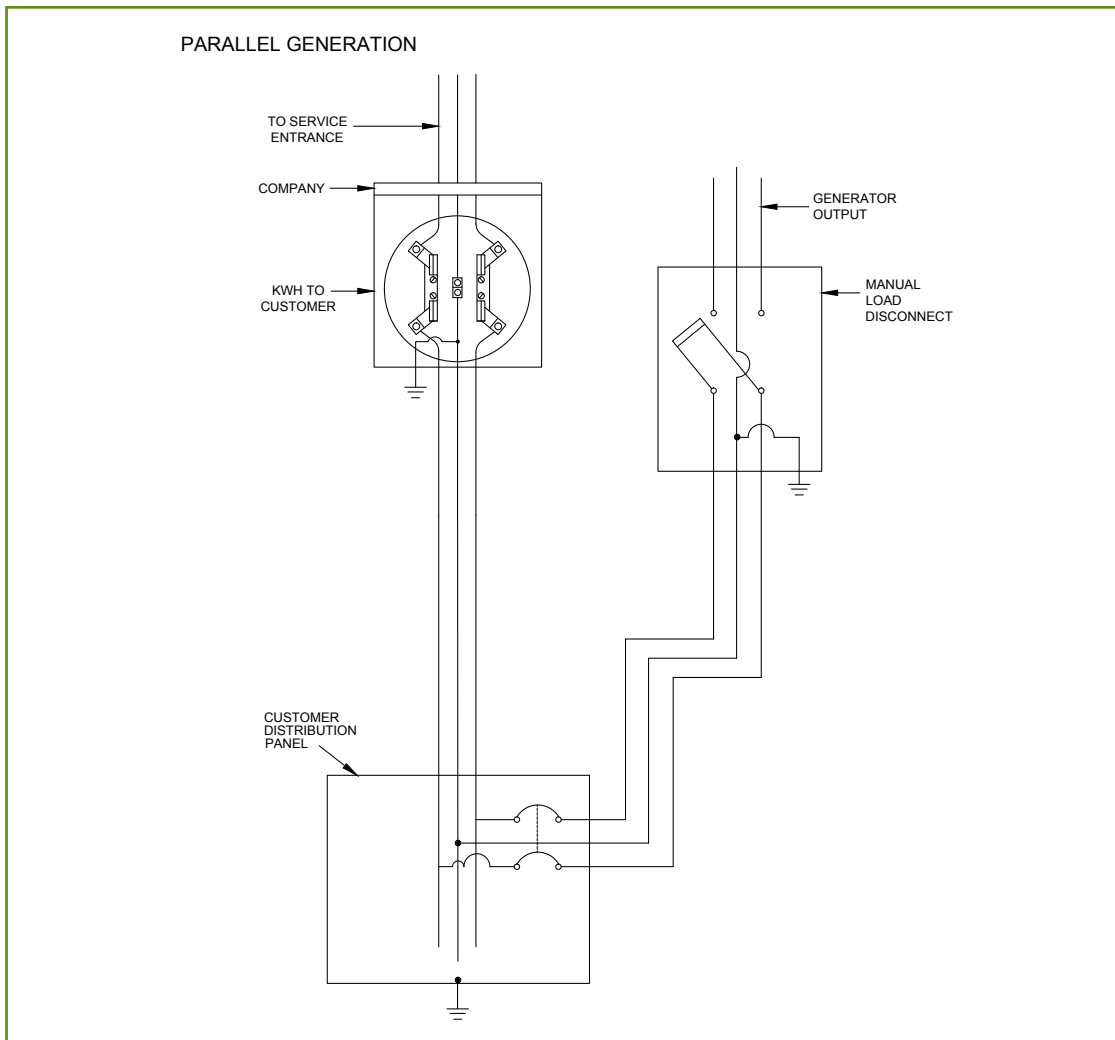


Figure 51

Generating equipment that operates in parallel with the company's electric system must comply with the *Requirements for Independent Power producers of Electricity (86-01)* and the *Distributed Generation Interconnection Requirements* listed in the company *Tariff Schedules for Electric Service, PSC No. 19*.

An application for parallel interconnection as well as the requirements may be obtained by calling the manager of Non Utility Generator (NUG) Interconnections. Call the company for the appropriate name and number.

The company strongly recommends that the customer consult with the company prior to purchase of equipment.